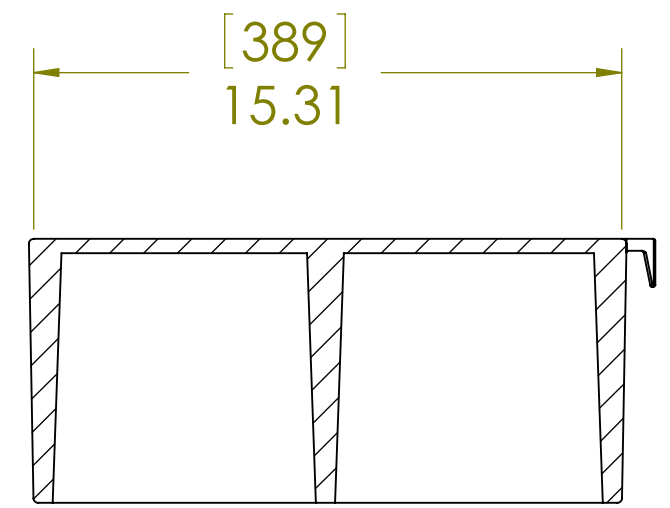
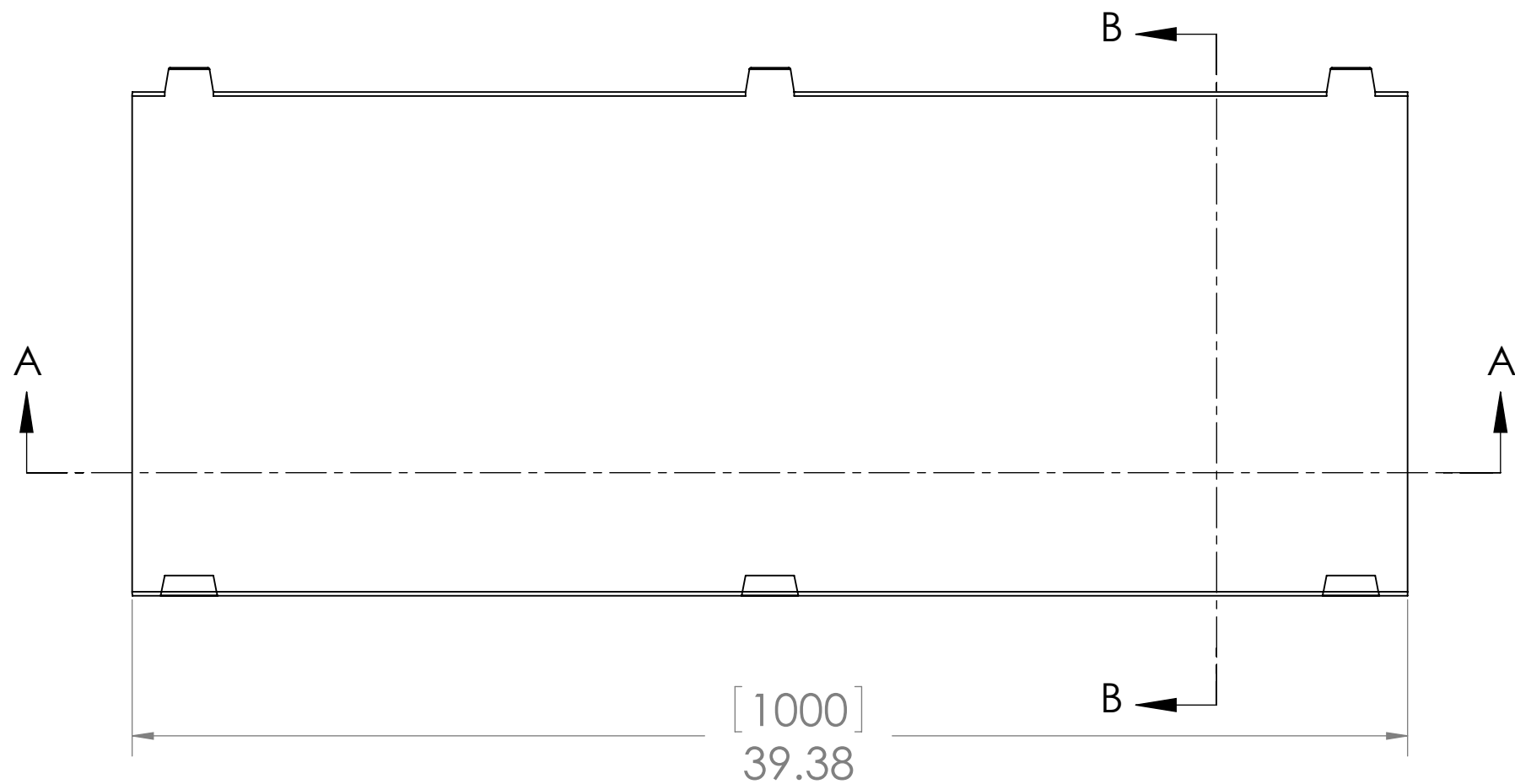
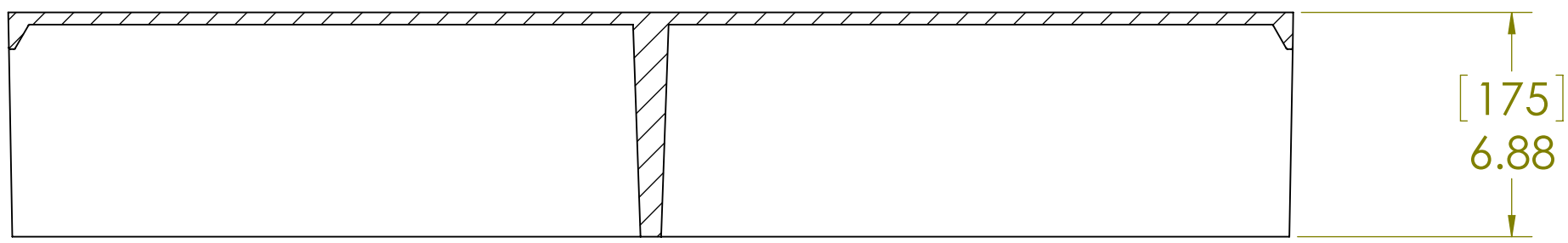


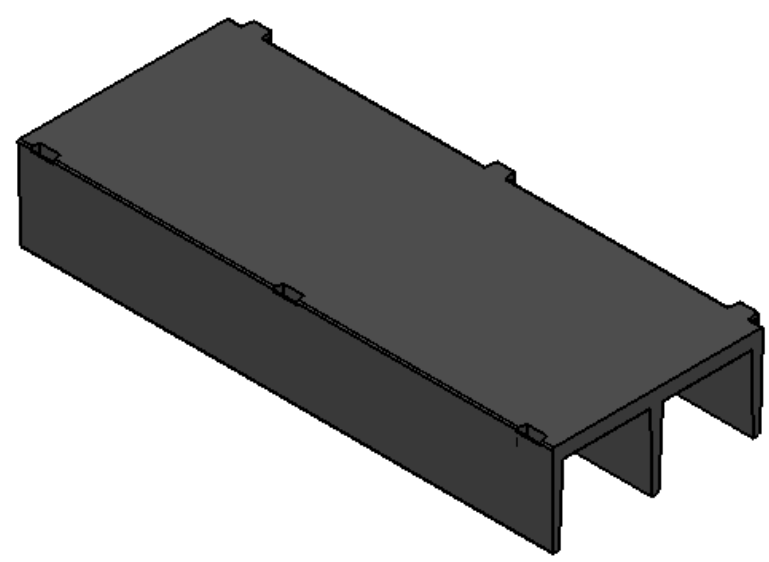
8 7 6 5 4 3 2 1



SECTION B-B



SECTION A-A



PROPRIETARY AND CONFIDENTIAL
 THE INFORMATION CONTAINED IN THIS DRAWING IS THE SOLE PROPERTY OF <INSERT COMPANY NAME HERE>. ANY REPRODUCTION IN PART OR AS A WHOLE WITHOUT THE WRITTEN PERMISSION OF <INSERT COMPANY NAME HERE> IS PROHIBITED.

		UNLESS OTHERWISE SPECIFIED:		NAME	DATE	BacTee Systems, Inc.	
		DIMENSIONS ARE IN INCHES		DRAWN		TITLE:	
		TOLERANCES:		CHECKED		BioAer Trench Cover	
		FRACTIONAL ±		ENG APPR.		REV	
		ANGULAR: MACH ± BEND ±		MFG APPR.		SIZE	DWG. NO.
		TWO PLACE DECIMAL ±		Q.A.		B	TC.1000
		THREE PLACE DECIMAL ±		COMMENTS:		SCALE: 1:5	WEIGHT:
		INTERPRET GEOMETRIC TOLERANCING PER:					SHEET 1 OF 1
		MATERIAL					
		PP/PE Composite					
		FINISH					
NEXT ASSY	USED ON	DO NOT SCALE DRAWING					
APPLICATION							

8 7 6 5 4 3 2 1